

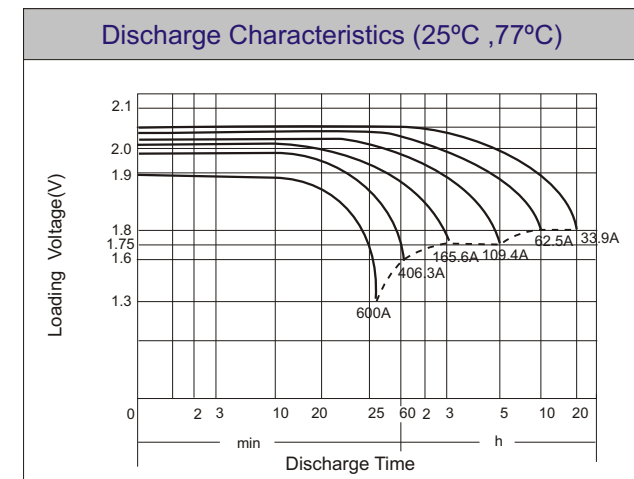
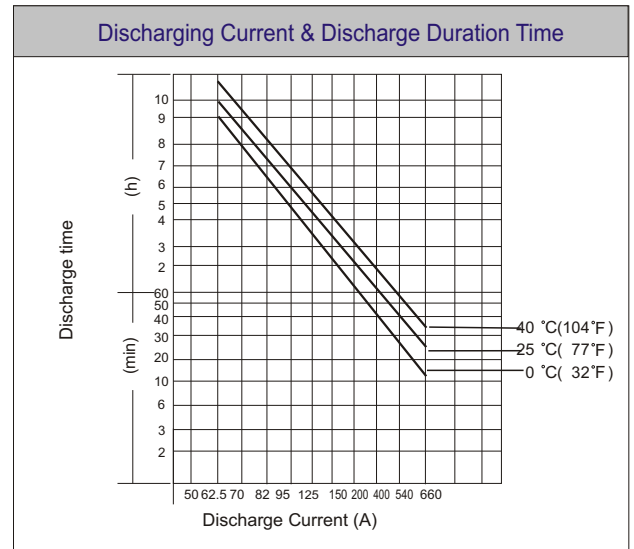
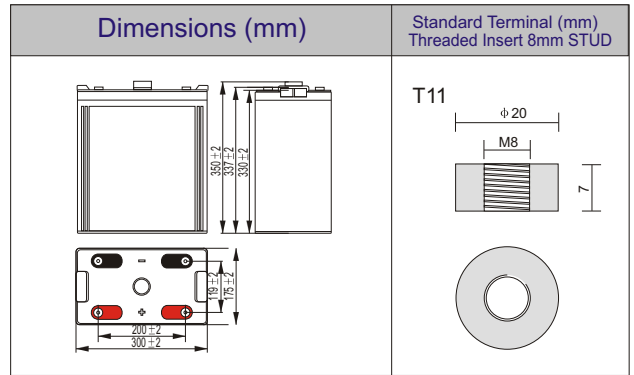


**POWER-GUARD SERIES®**



**PG2V680**

VRLA Sealed Long Life Battery



Physical Specification		
Nominal Voltage	2V	
Nominal Capacity (20HR)	678AH	
Dimension	Length	300 ± 2mm (11.81 inches)
	Width	175 ± 2mm ( 6.89 inches)
	Container Height	330 ± 2mm (12.99 inches)
	Total Height (with Terminal)	350 ± 2mm (13.78 inches)
Weight	Approx 40kg (88.3 lbs)	
Standard Terminal	T11 Threaded Insert 8mm STUD	

Electrical Specification					
Rated Capacity	20 hour rate (33.9A)	678AH	Constant Voltage Charge	Cycle	Initial Charging Current less than 180A. Voltage 2.40V~2.50V at 25°C (77°F) Temp. Coefficient -5mV/C
	10 hour rate (62.5 A)	625AH			
	8 hour rate (75.0 A)	600AH			
	5 hour rate (109.4 A)	547AH			
	3 hour rate (165.6A)	497AH			
1 hour rate (406.3 A)	406.3AH	Standby	No limit on Initial Charging Current Voltage 2.25V~2.30V at 25°C(77°F) Temp. Coefficient - 3mV/°C		
Capacity affected by Temperature	40°C (104°F)			103%	
	25°C (77°F)			100%	
	0°C ( 32°F)	86%			

Constant Current (Amp) and Constant Power (Watt) Discharge Table (25°C,77°F)											
Time(minute) Final voltage	30	45	60	120	180	240	300	360	480	600	1200
	1.3	1.3	1.6	1.7	1.75	1.75	1.75	1.75	1.8	1.8	1.8
Amps	625.0	437.5	406.3	225.0	165.6	131.3	109.4	96.9	75.0	62.5	33.9
W/Cell	1181.3	868.8	804.4	447.5	330.0	261.9	218.1	193.8	150.0	125.0	67.8